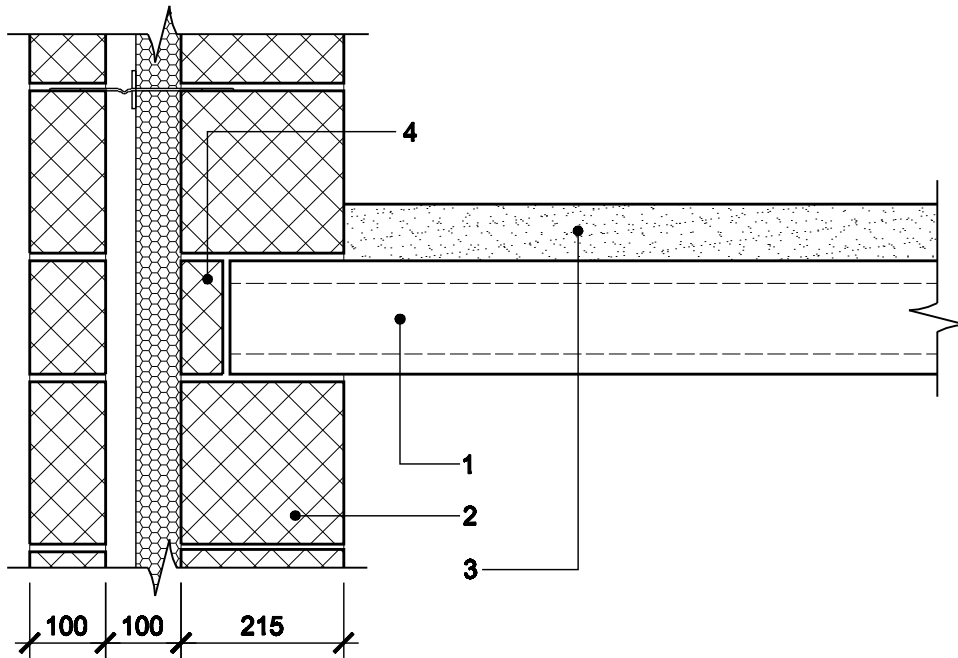
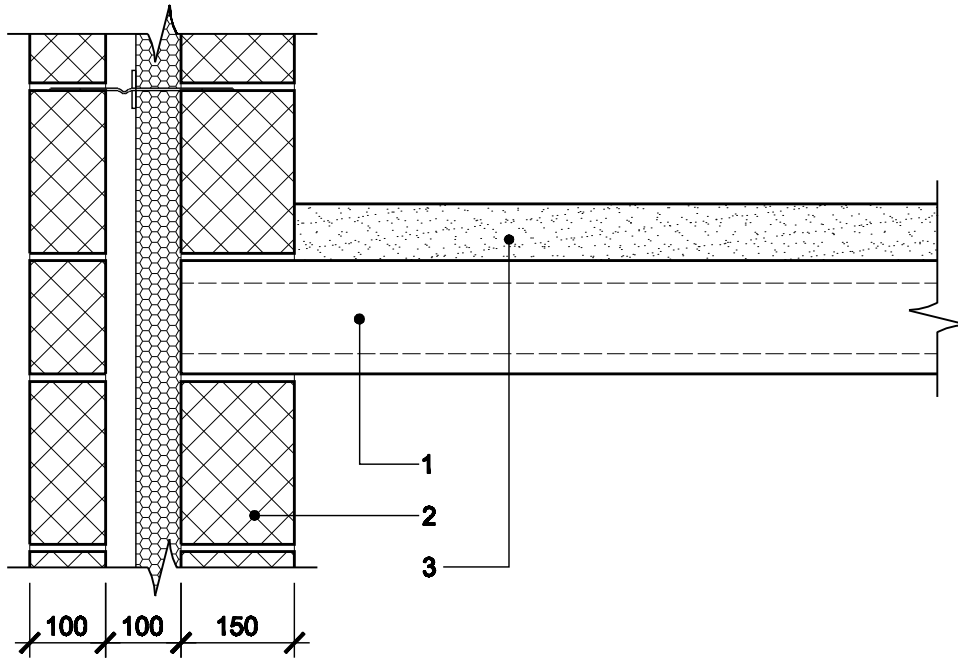


KEY

- 1. 150mm deep hollow core concrete floor slab with 150mm bearing
- 2. Quinn Lite B5 block work
- 3. Sand/cement screed
- 4. Quinn Lite Block cut to size

150mm Quinn Lite B5 is recommended to support floor slabs in domestic dwellings. For buildings other than dwellings contact our technical department.



PROJECT	DRAWING TITLE Hollow Core Units	DRAWING NO.	REVISION
copyright© The information is supplied in good faith and no liability can be accepted for any loss or damage resulting from use.	QUINN REF QL-TD-008	DATE	SCALE 1.10
QUINN group	Quinn Group, Head Office, Derrylin, Co. Fermanagh, BT92 9AU Tel:+44 (0) 28 6774 8866 Fax: +44 (0) 28 6774 8800 Email: General Enquires: info@quinn-group.com Technical Enquires: technical@quinn-group.com		