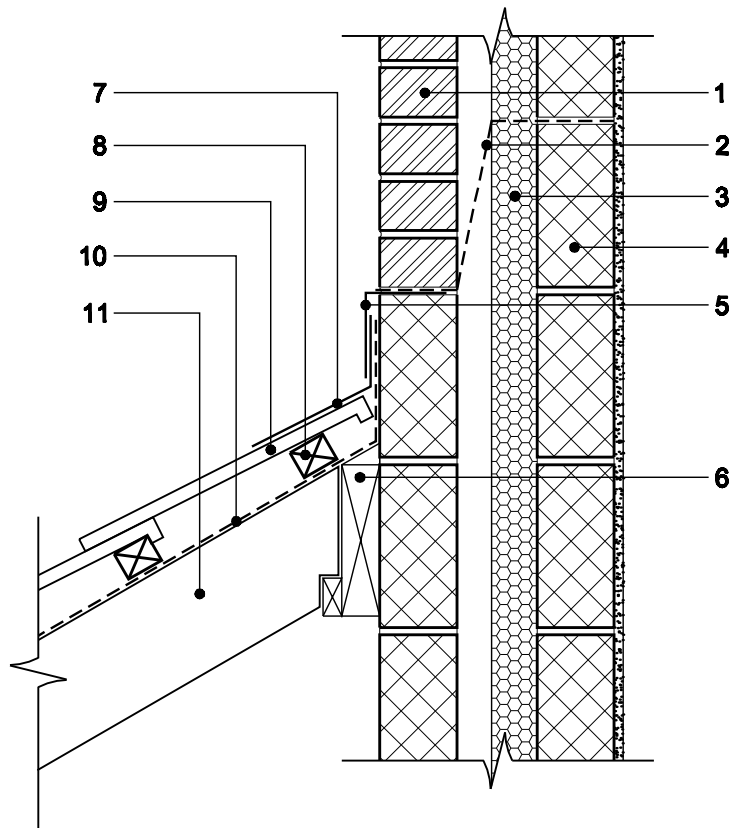


KEY

- 1. 103mm brickwork
- 2. Stepped DPC
- 3. 60mm Quinn Therm (QW) insulation
- 4. 100mm Quinn Lite (B5) Blockwork
- 5. Cover Flashing
- 6. Timber Wall Plate
- 7. Lead Apron Flashing
- 8. Timber Batten
- 9. Quinn Rooftile
- 10. Underfelt (carried up wall min 100mm)
- 11. Timber rafter



PROJECT	DRAWING TITLE Mono-pitch roof abutment	DRAWING NO.	REVISION
copyright© The information is supplied in good faith and no liability can be accepted for any loss or damage resulting from use.	QUINN REF QL-TD-011	DATE	SCALE 1.10
QUINN group	Quinn Group, Head Office, Derrylin, Co. Fermanagh, BT92 9AU Tel:+44 (0) 28 6774 8866 Fax: +44 (0) 28 6774 8800 Email: General Enquires: info@quinn-group.com Technical Enquires: technical@quinn-group.com		