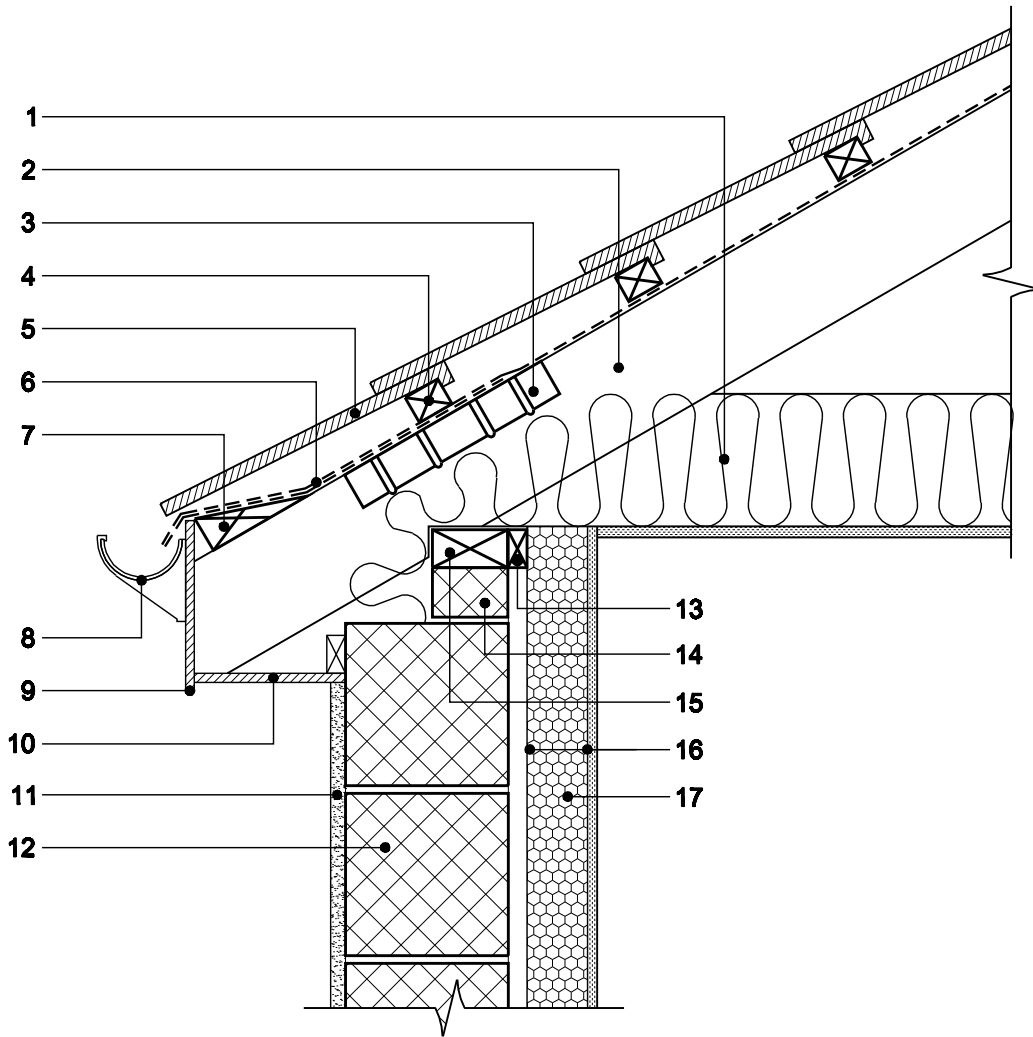


KEY

- | | |
|------------------------------------|-------------------------------------|
| 1. Mineral Wool Insulation | 10. Soffit with ventilation holes |
| 2. Rafter | 11. Approved External Render |
| 3. Eaves Ventilation | 12. 215mm Quinn Lite B5 Blockwork |
| 4. Battens at max 320mm gauge | 13. Timber batten |
| 5. 420x334mm Quinn Rooftile | 14. Quinn Lite Coursing Unit |
| 6. Underfelt (carried into gutter) | 15. Timber Wallplate |
| 7. Angle Fillet | 16. Vapour control layer |
| 8. Gutter | 17. 80/12.5 Quinn laminate QL board |
| 9. Fascia board | |



PROJECT	DRAWING TITLE Standard Eaves Detail (Solid Wall Construction)	DRAWING NO.	REVISION
copyright© The information is supplied in good faith and no liability can be accepted for any loss or damage resulting from use.	QUINN REF QL-TD-017	DATE	SCALE 1.10

QUINNgroup

Quinn Group, Head Office, Derrylin, Co. Fermanagh, BT92 9AU
 Tel:+44 (0) 28 6774 8866 Fax: +44 (0) 28 6774 8800 Email: General Enquires: info@quinn-group.com
 Technical Enquires: technical@quinn-group.com