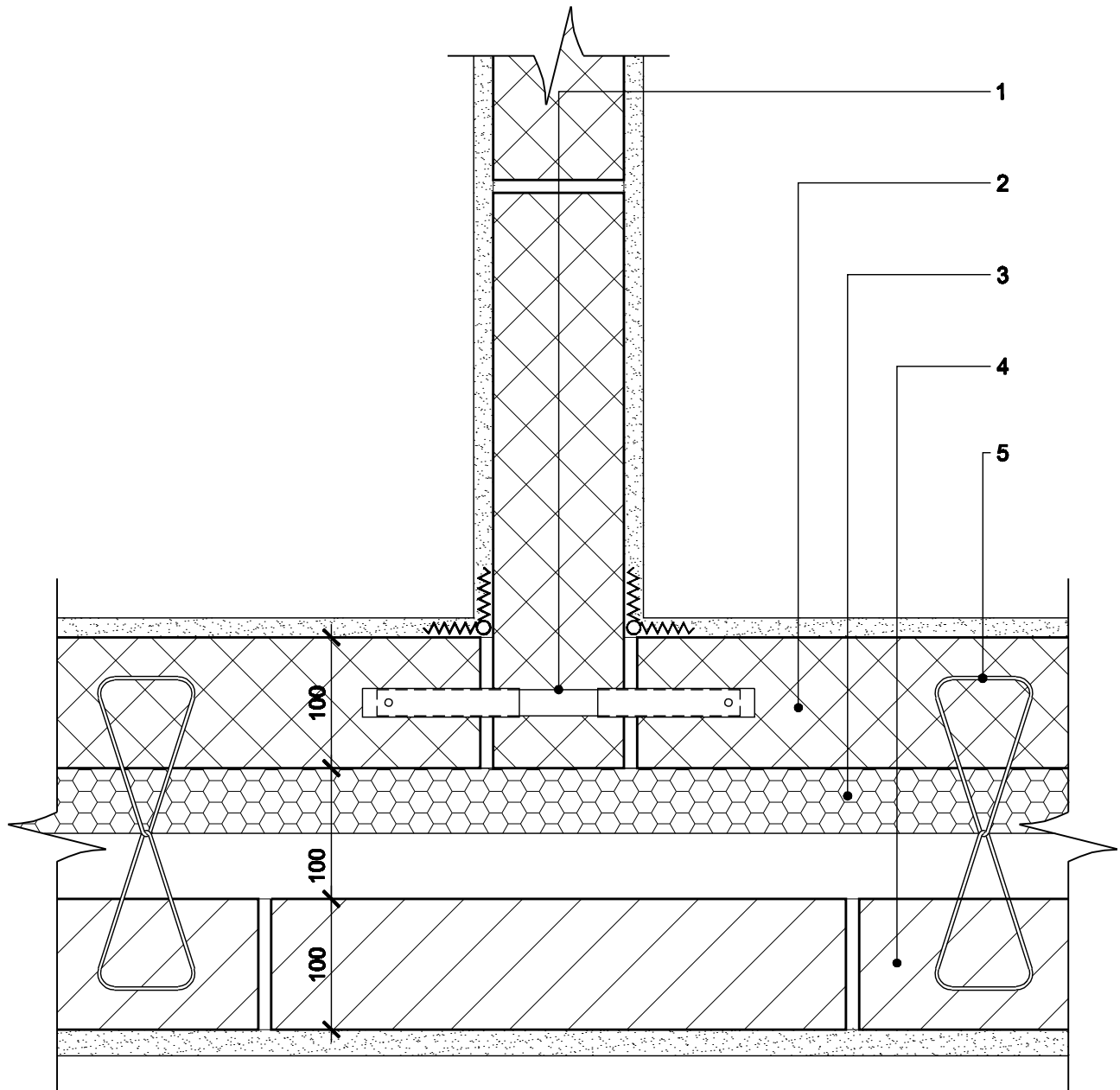


KEY

1. 300mmx25mmx3mm Ancon PPS wall tie with de-bonding sleeve ends
2. 100mm Quinn Lite blockwork
3. Quinn Therm cavity wall insulation
4. 100mm Dense concrete blockwork or brickwork
5. Flexible wall tie, butterfly or double triangle - BS1234 1978 or EN 845-1



PROJECT	DRAWING TITLE Quinn Lite Movement Joint at built in Flanking Intersecting Wall	DRAWING NO.	REVISION
copyright© The information is supplied in good faith and no liability can be accepted for any loss or damage resulting from use.	QUINN REF QL-TD-019	DATE	SCALE 1.5
QUINN group	Quinn Group, Head Office, Derrylin, Co. Fermanagh, BT92 9AU Tel: +44 (0) 28 6774 8866 Fax: +44 (0) 28 6774 8800 Email: General Enquires: info@quinn-group.com Technical Enquires: technical@quinn-group.com		