

OPTION 1 KEY

- 1. 50mm proprietary sound reduction board
- 2. 12.5mm plaster
- 3. Quinn Lite B5 blockwork

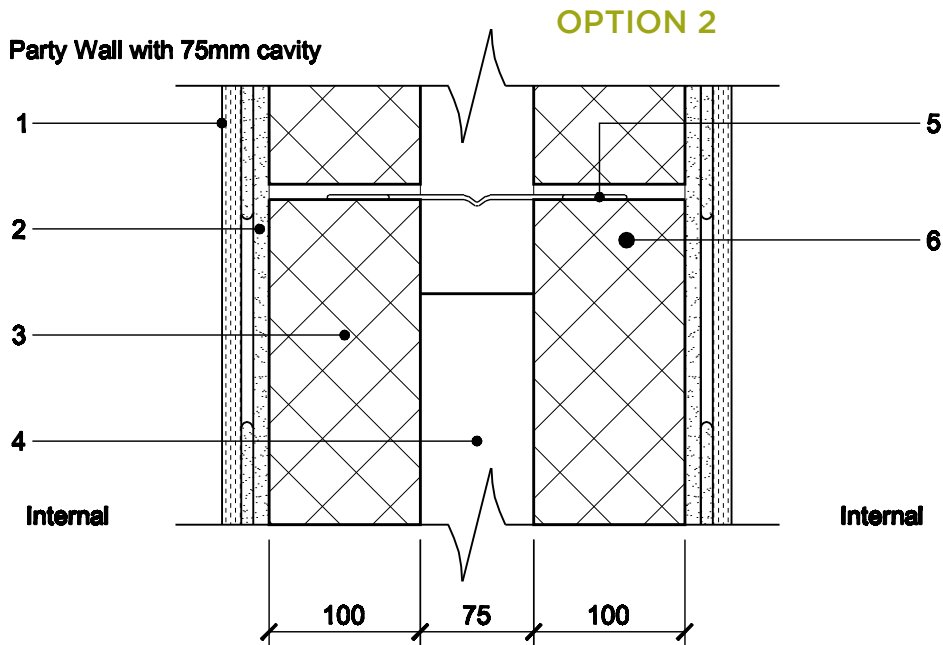
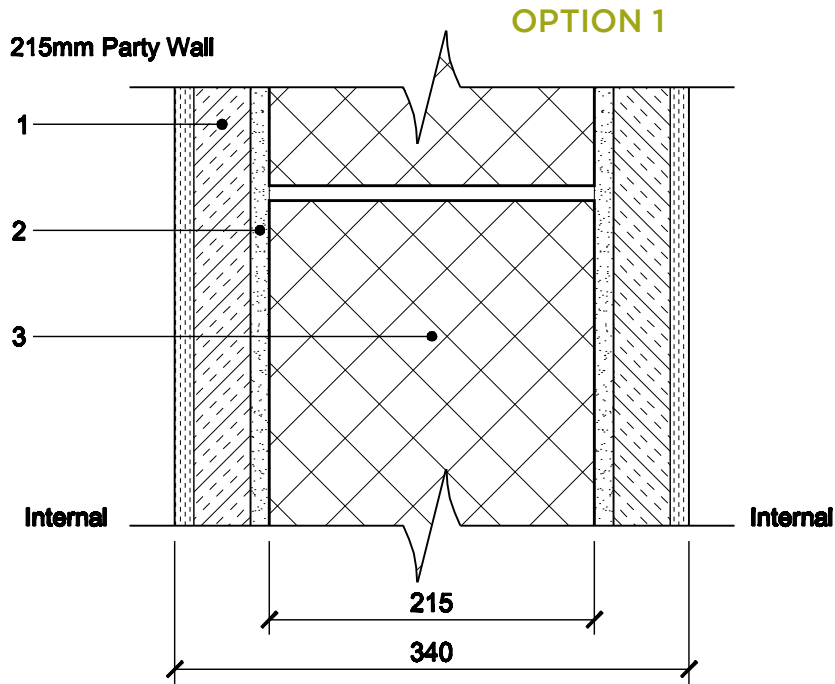
OPTION 1

AIRBORNE SOUND REDUCTION

AVERAGE PERFORMANCE = 60 dB DnT,w

OPTION 2 KEY

- 1. Plaster board on dabs
- 2. 10mm plaster scratch coat
- 3. Quinn Lite B5 blockwork
- 4. 75mm cavity
- 5. Flexible wall tie, butterfly or double triangle - BS1234 1978 or EN 845-1
- 6. Quinn Lite B5 blockwork



PROJECT	DRAWING TITLE Typical Party Wall Construction	DRAWING NO.	REVISION
copyright© The information is supplied in good faith and no liability can be accepted for any loss or damage resulting from use.	QUINN REF QL-TD-022	DATE	SCALE 1.5
QUINN group	Quinn Group, Head Office, Derrylin, Co. Fermanagh, BT92 9AU Tel:+44 (0) 28 6774 8866 Fax: +44 (0) 28 6774 8800 Email: General Enquires: info@quinn-group.com Technical Enquires: technical@quinn-group.com		